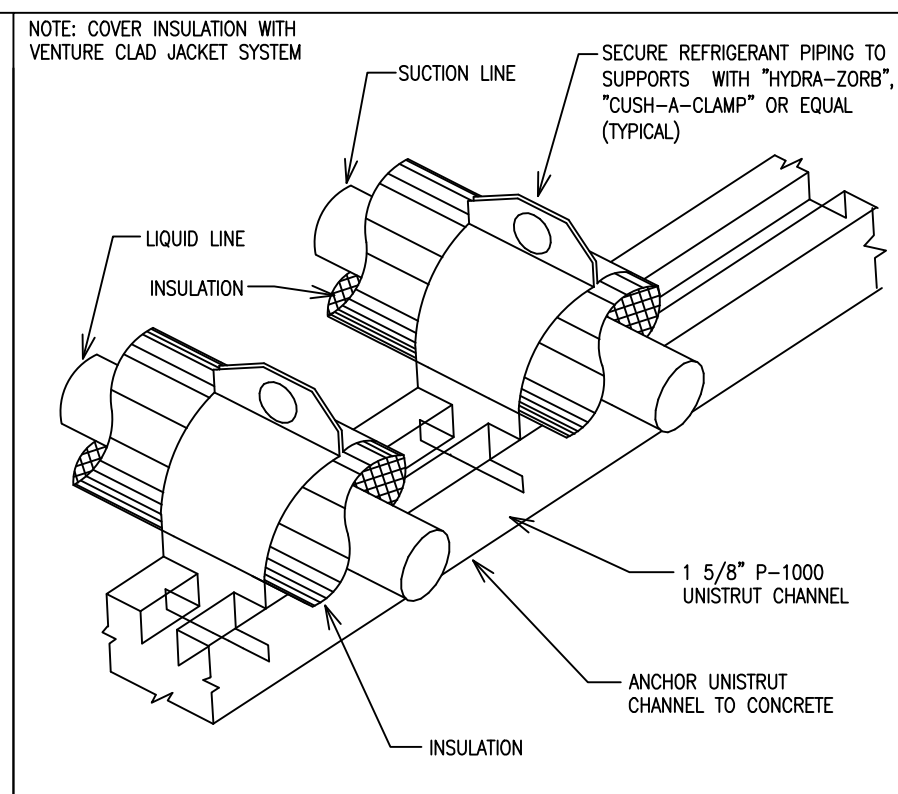
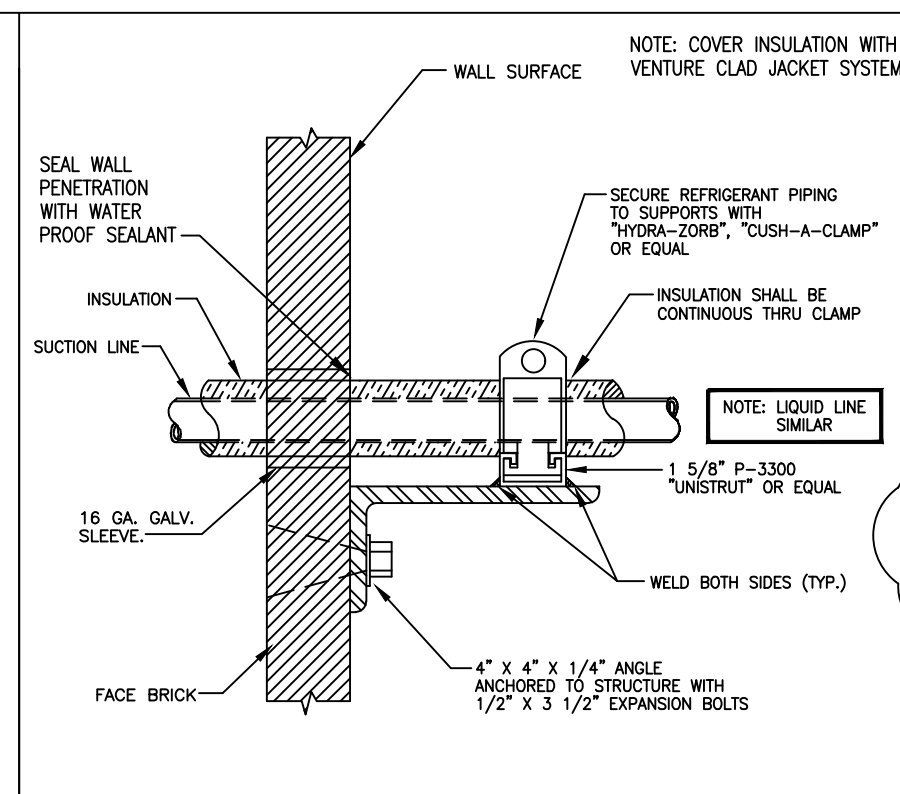


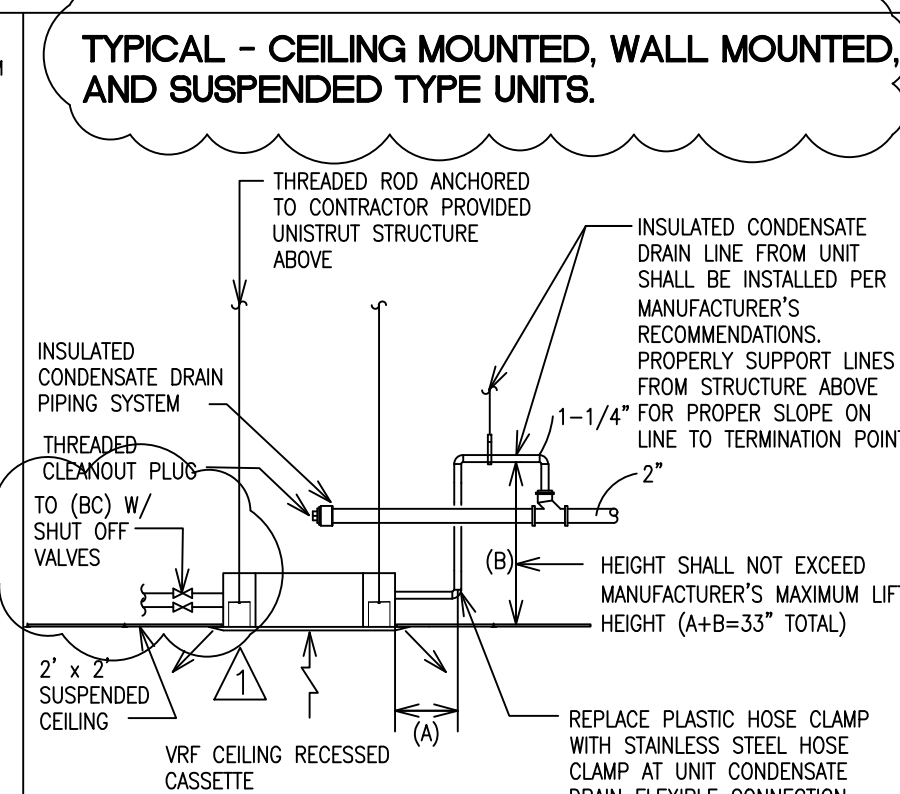
1 REFRIGERANT PIPE SUPPORT DETAIL
NO SCALE



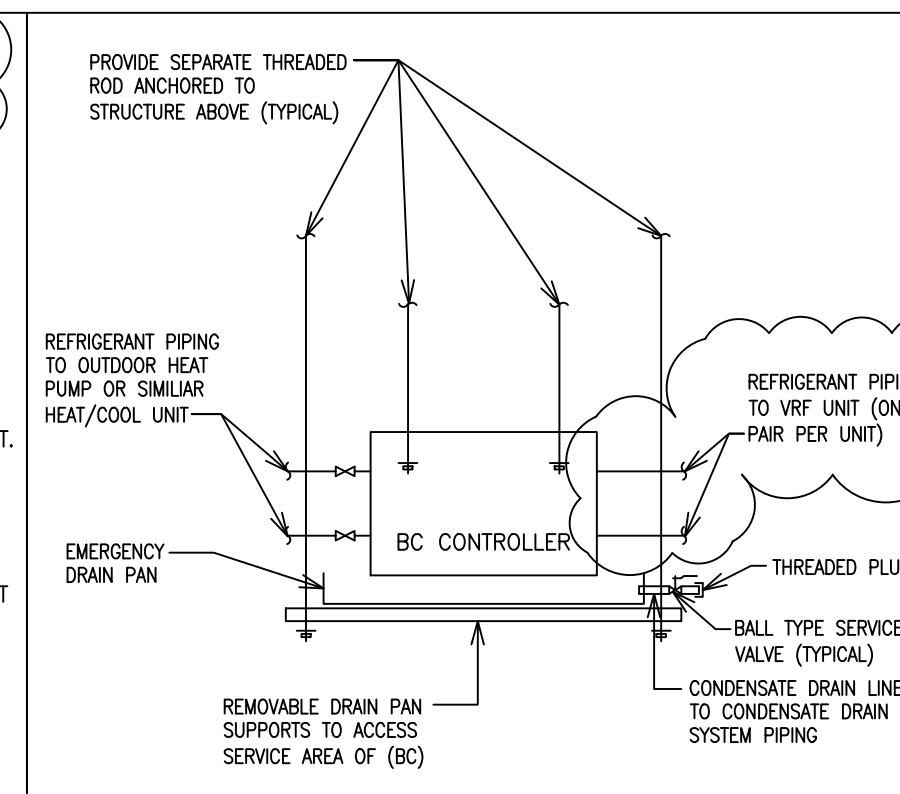
2 REFRIGERANT PIPE SUPPORT DETAIL
NO SCALE



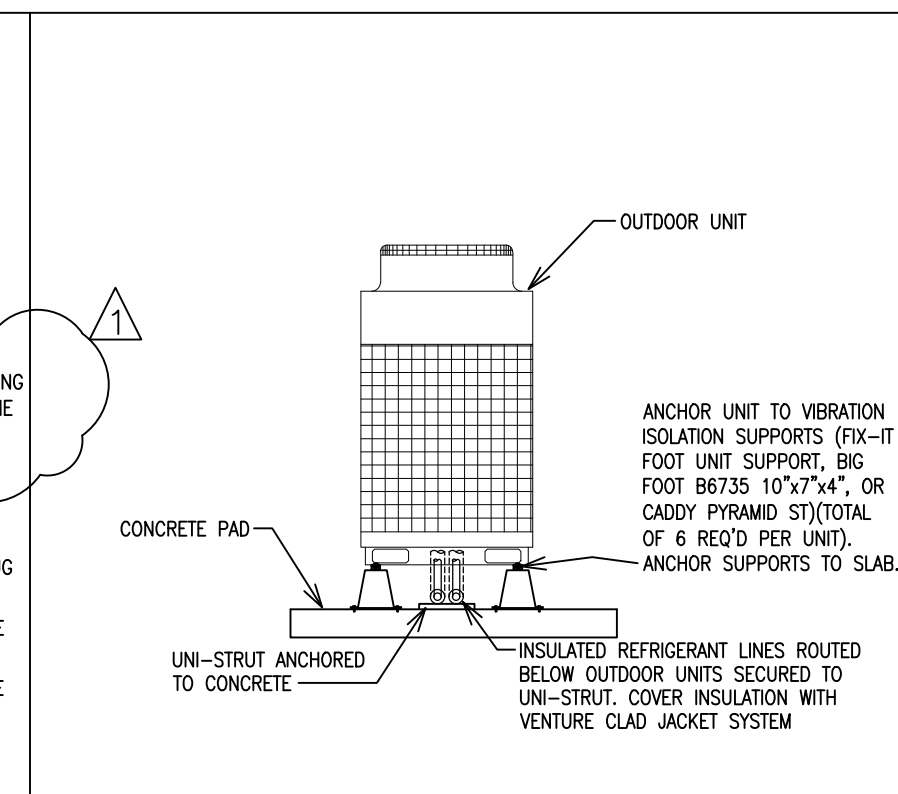
3 REFRIGERANT PIPE SUPPORT AT WALL DETAIL
NO SCALE



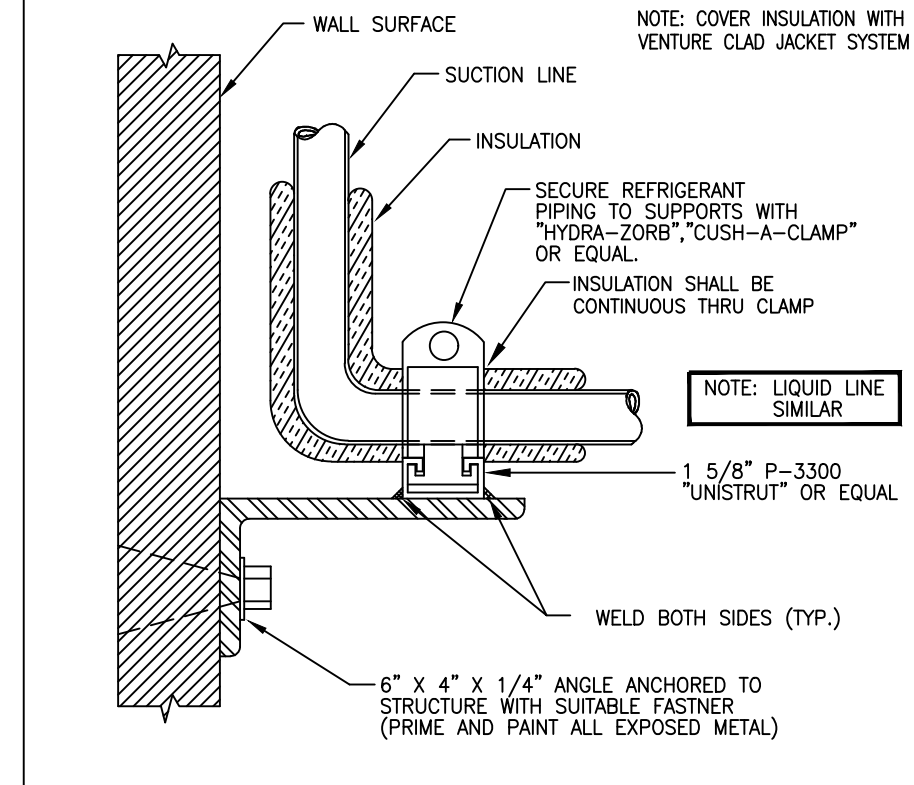
4 VRF - CEILING CASSETTE TYPE
NO SCALE



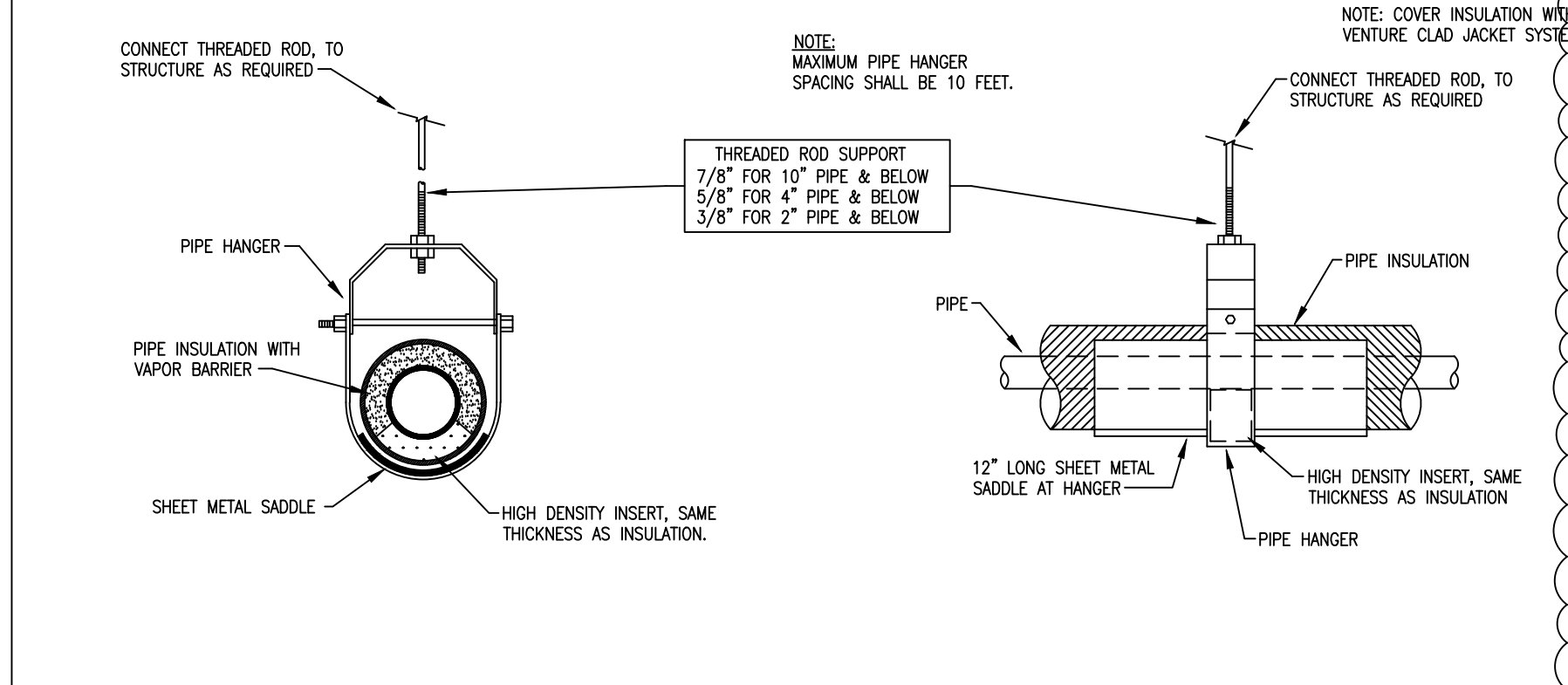
5 BC CONTROLLER DETAIL
NO SCALE



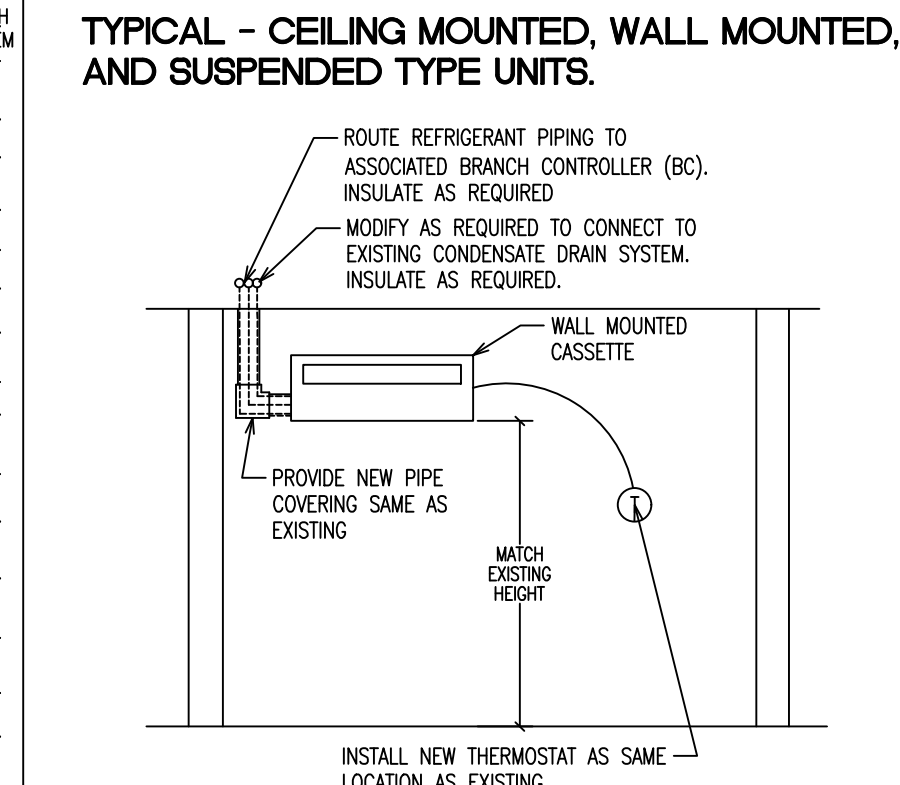
6 OUTDOOR UNIT DETAIL
NO SCALE



7 REFRIGERANT PIPE SUPPORT AT WALL DETAIL
NO SCALE



8 INSULATED PIPE HANGER DETAIL
NO SCALE

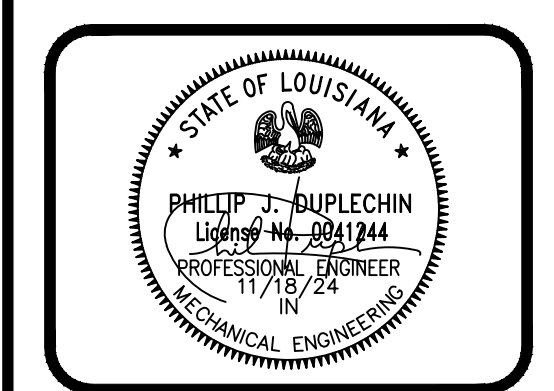


9 VRF - WALL CASSETTE TYPE
NO SCALE

GENERAL NOTES		
NO:	REVISIONS:	DATE:

**GIRARD HALL
HVAC MODIFICATIONS (SYSTEM 4 AND 5)**

UL FACILITY MANAGEMENT
THE UNIVERSITY OF LOUISIANA AT LAFAYETTE
P.O. BOX 42310
LAFAYETTE, LOUISIANA 70504



PROJECT NO:	SHEET:
DATE: SEPT 2024	ME5R2
SCALE:	

REVISION NO.2-03/06/25
REVISION NO.1-02/20/25

DETAILS

GIRARD HALL - HVAC MODIFICATIONS